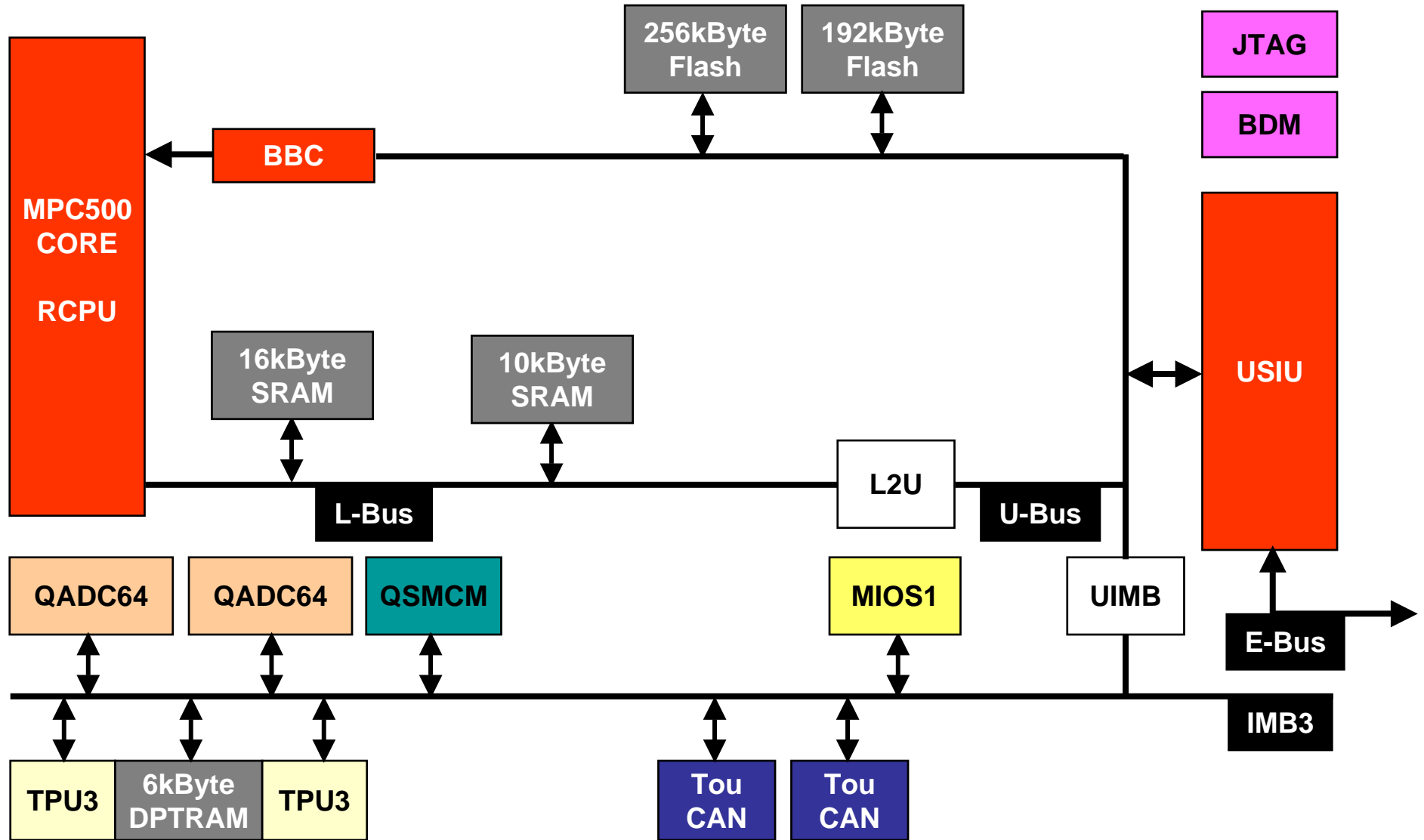
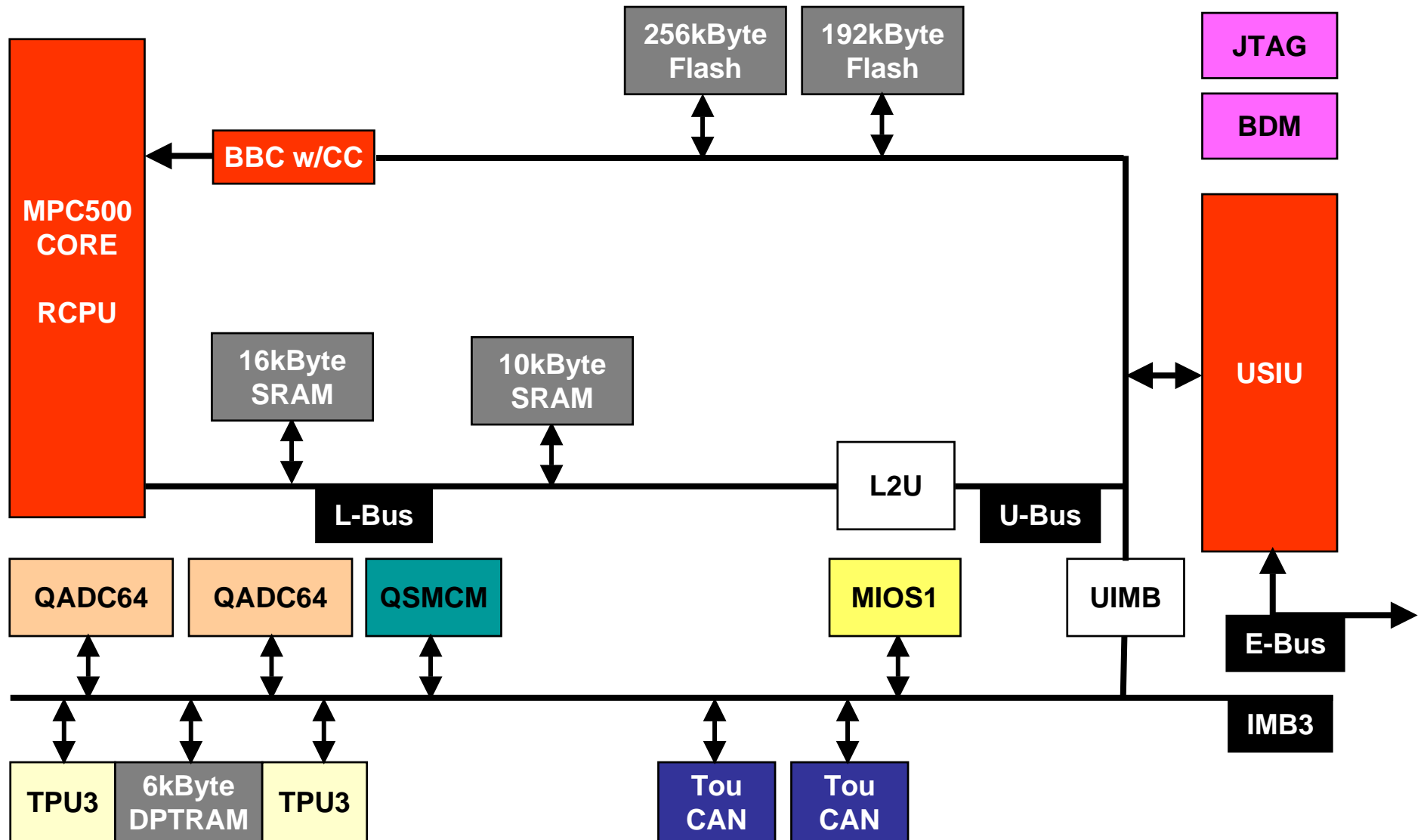


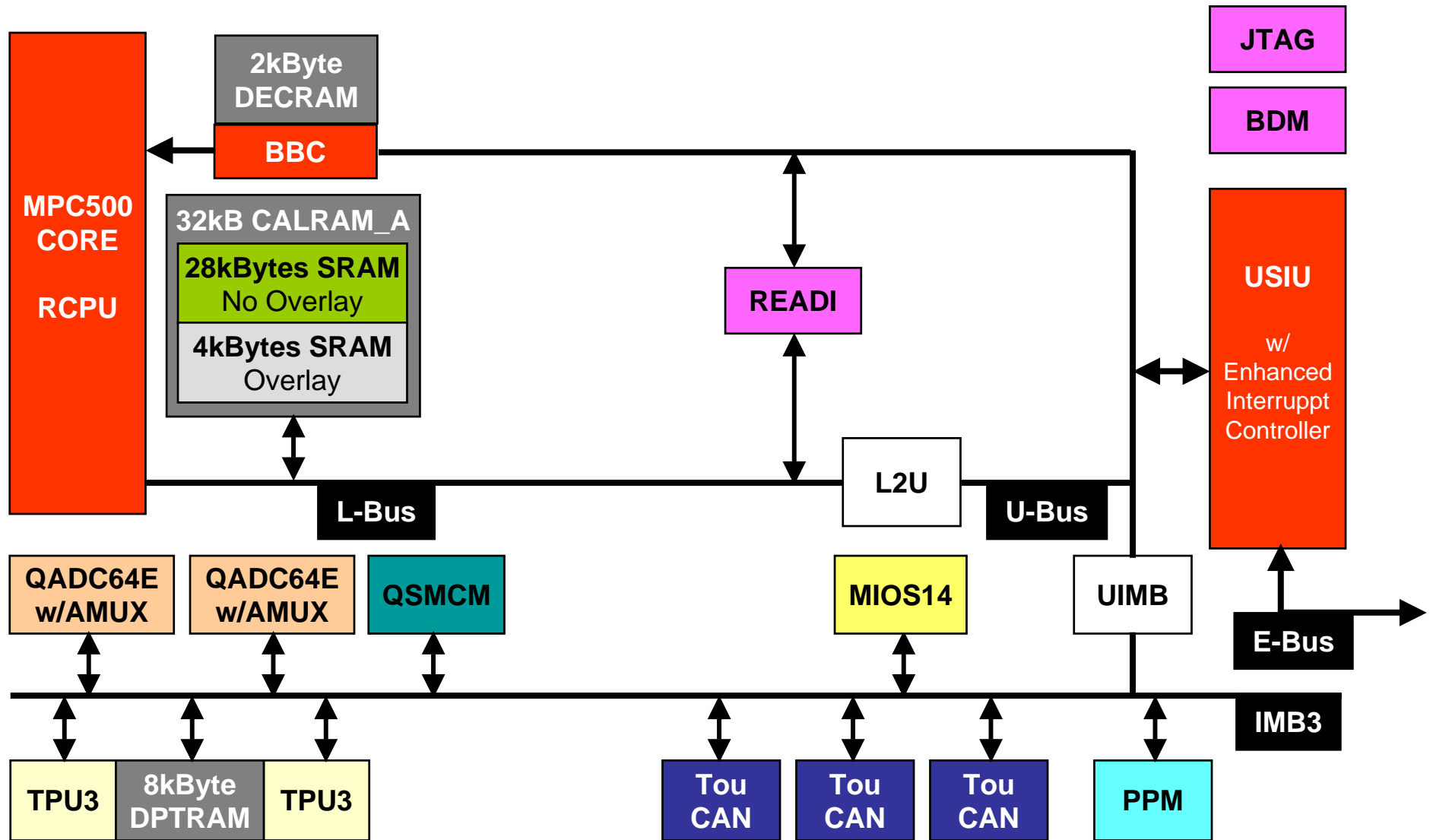
MPC5xx Mikrocontroller Übersicht

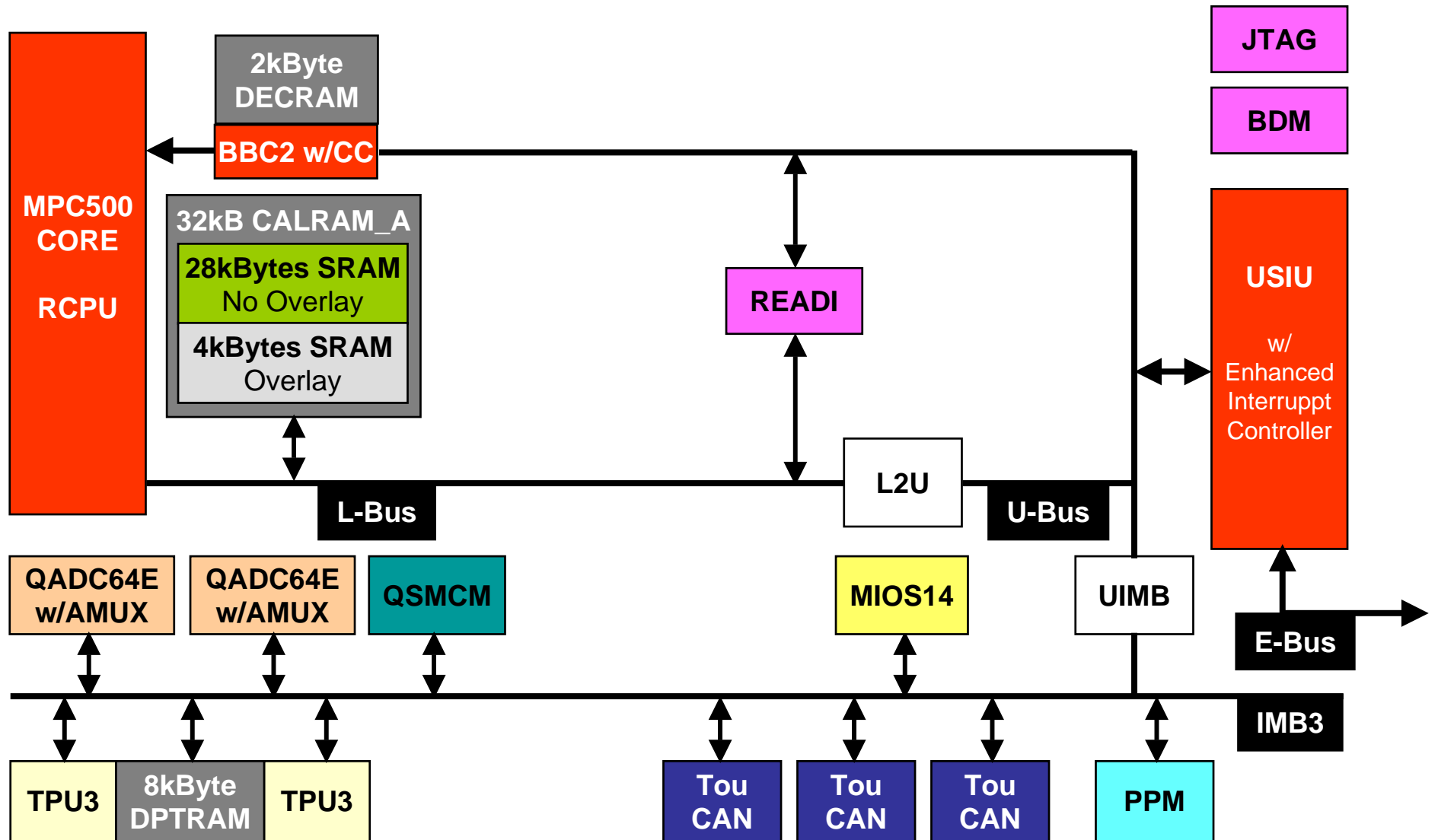
Thomas Batt
t.batt@microconsult.com

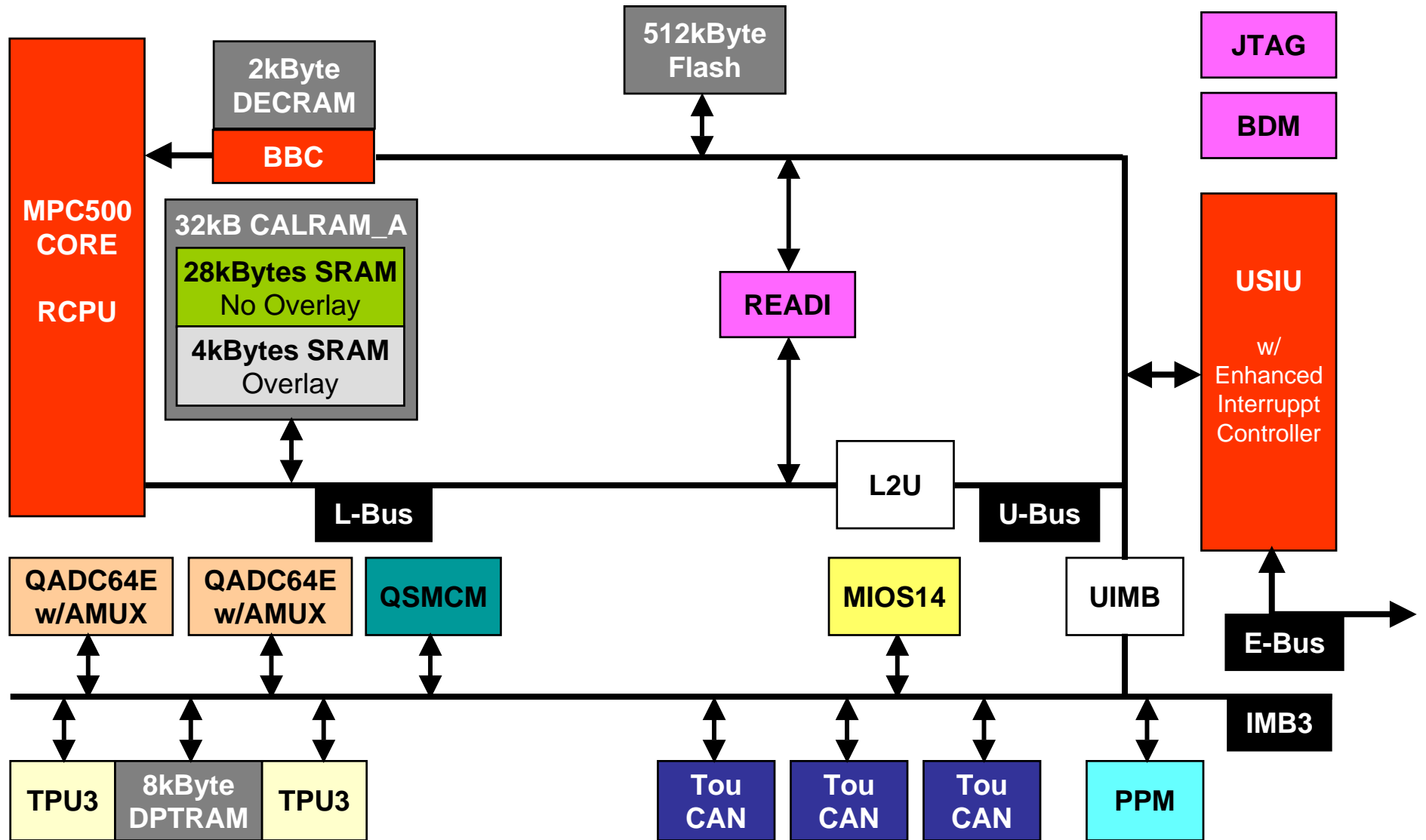
- **Welche Derivate der MPC5xx Familie existieren ?**

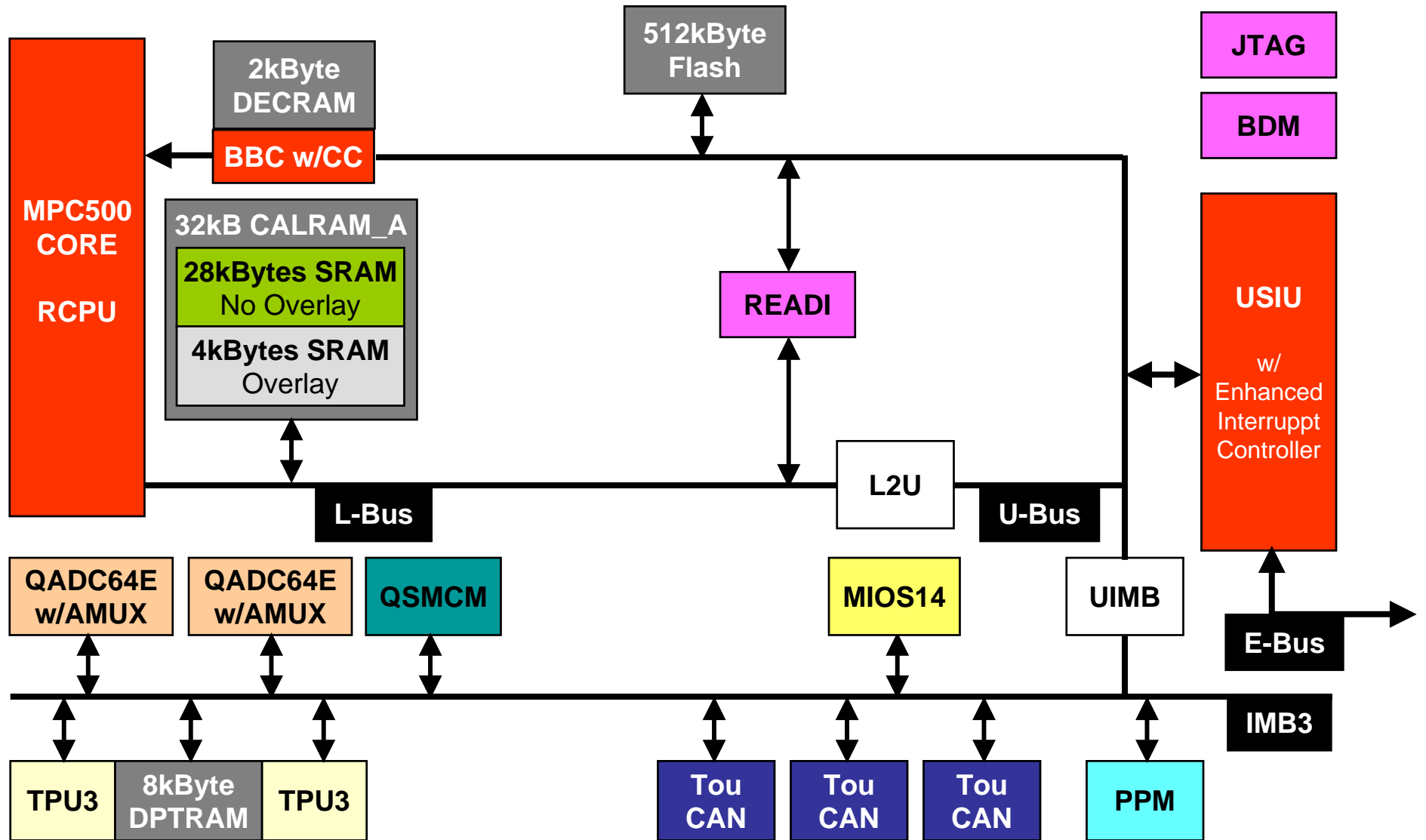


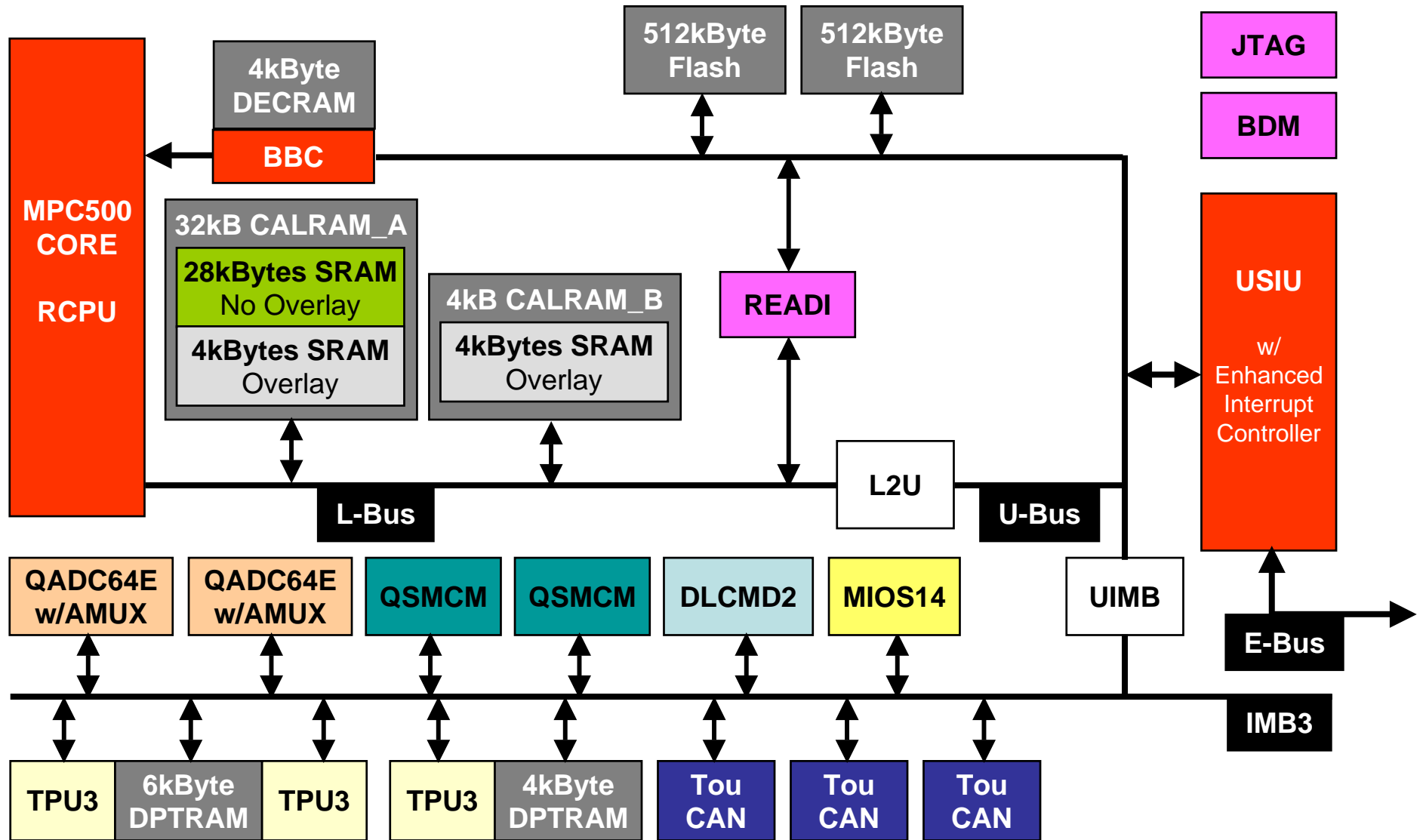


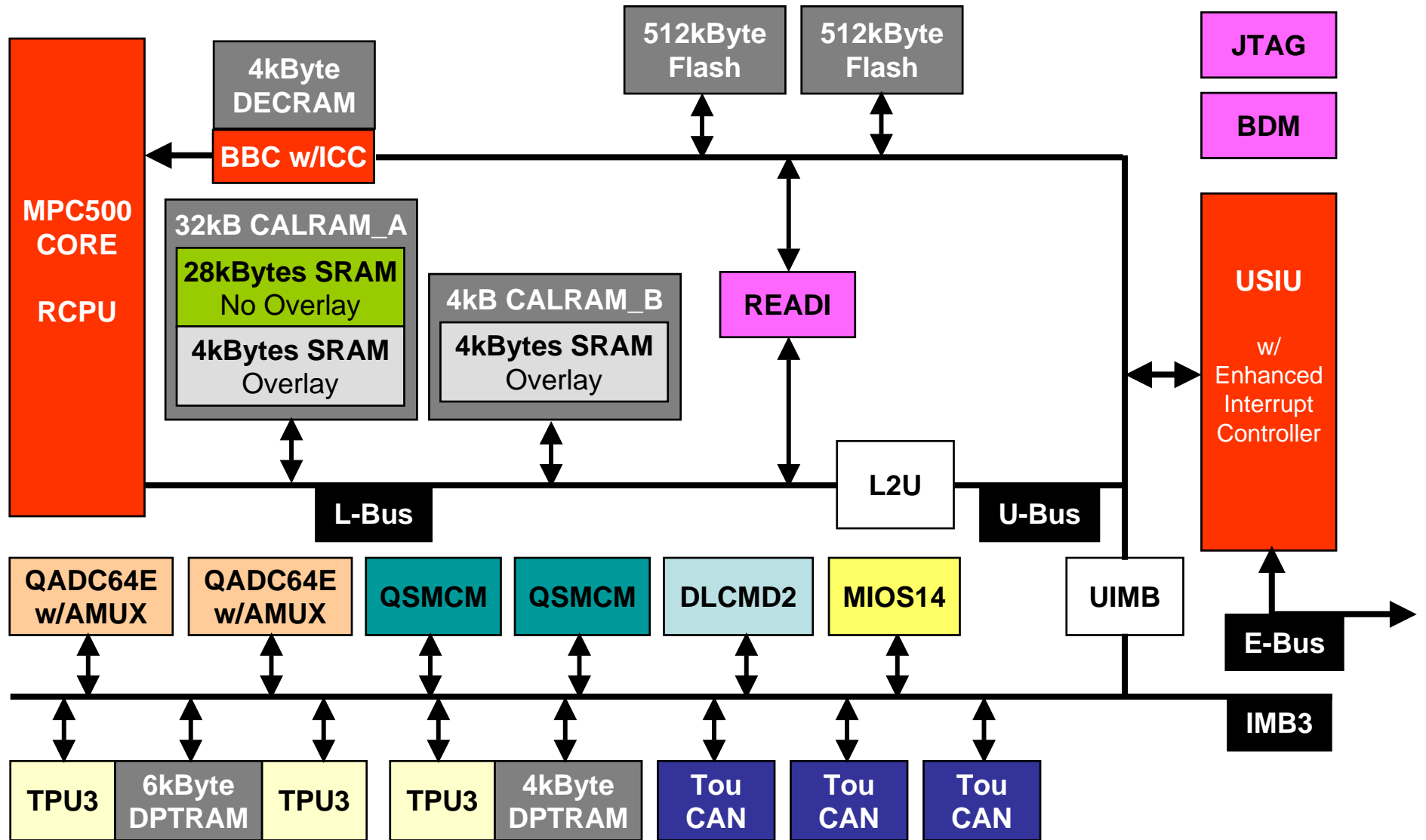


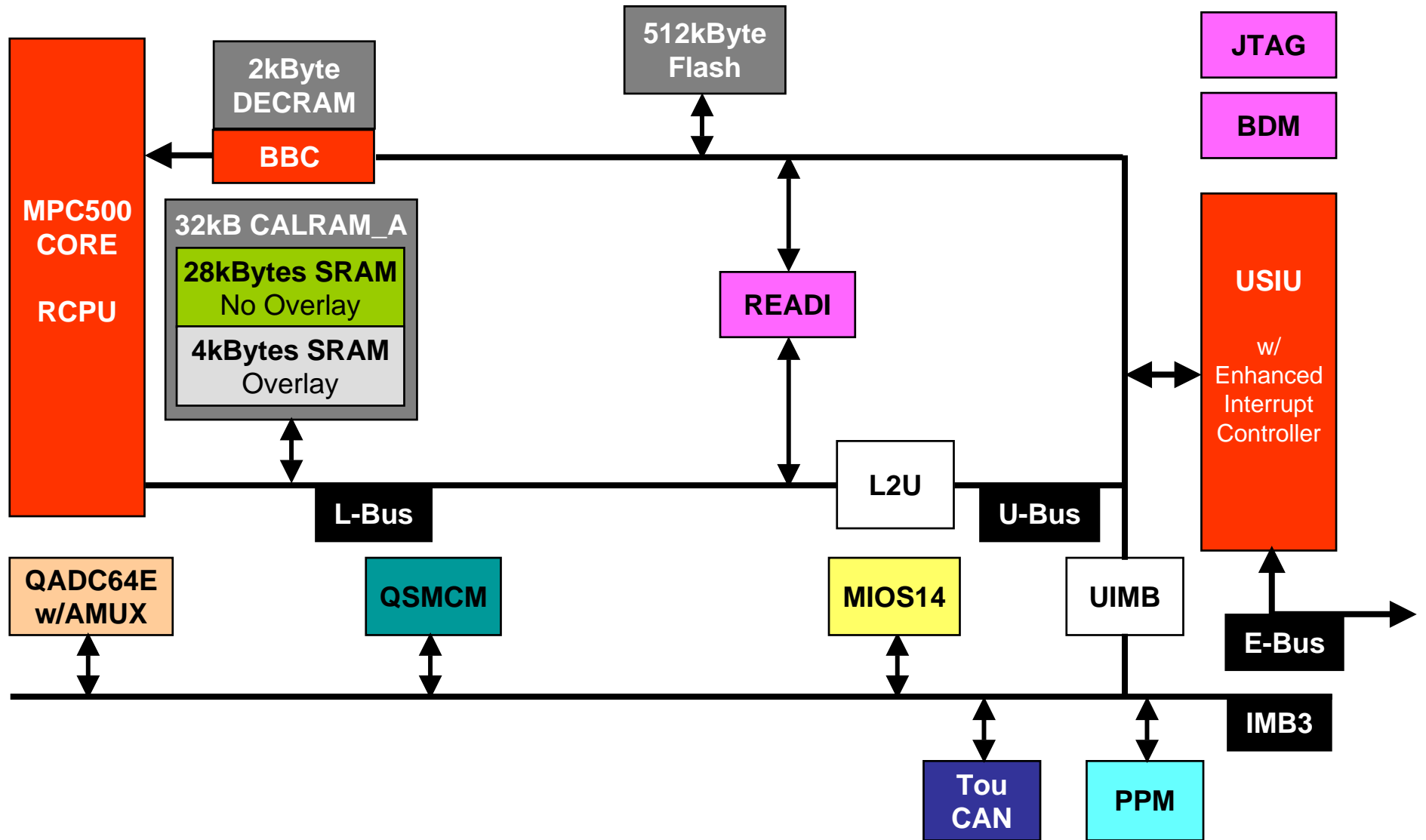


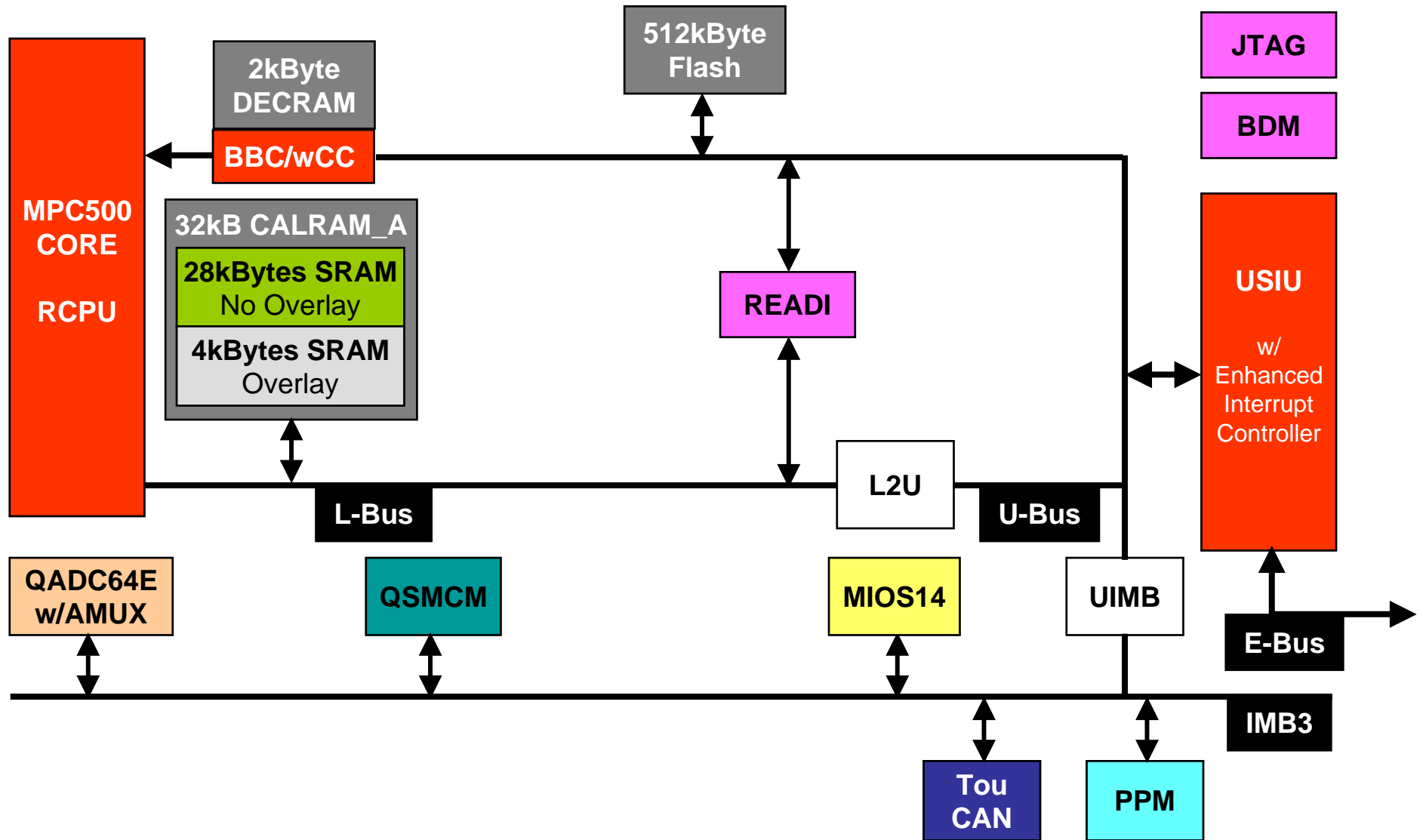


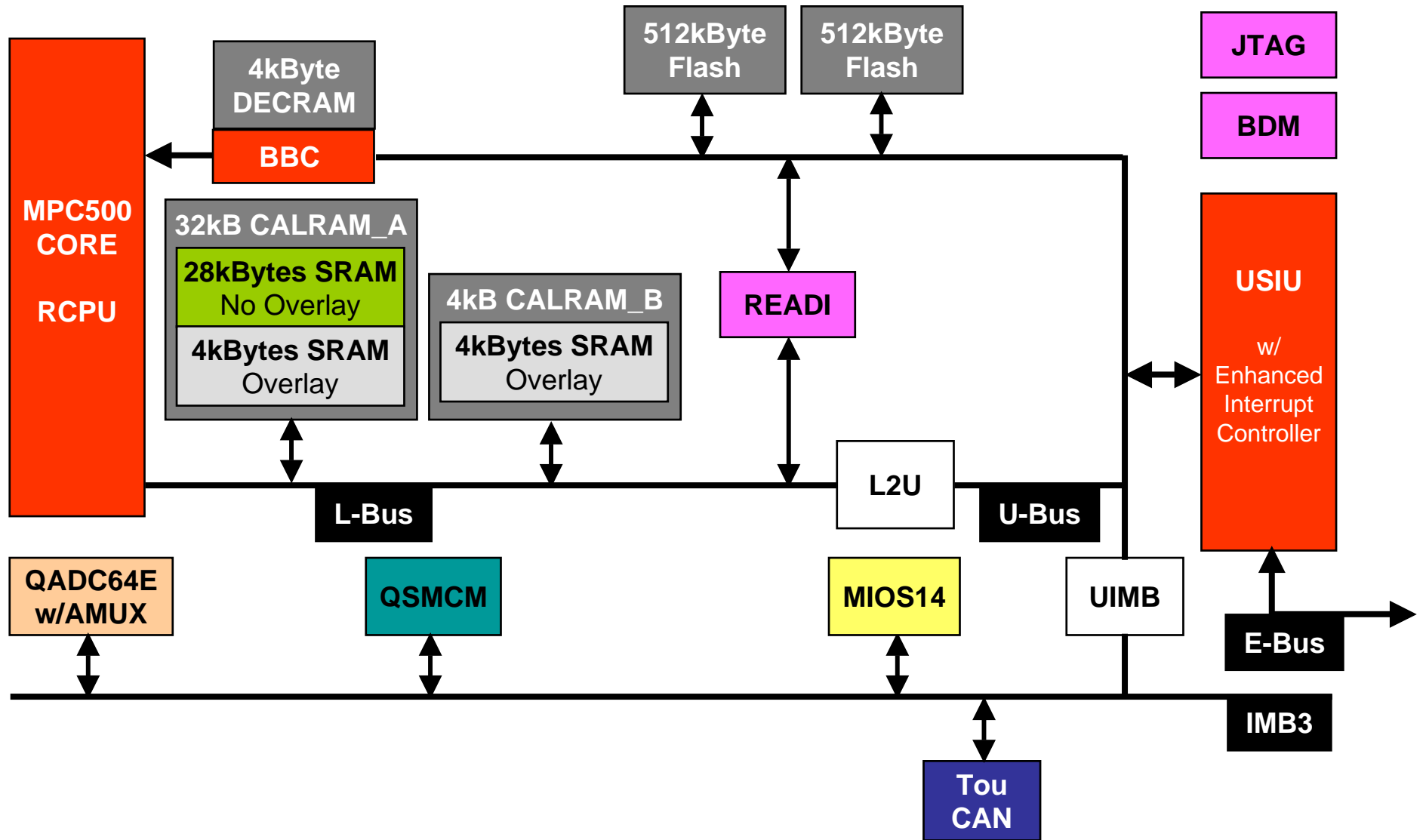


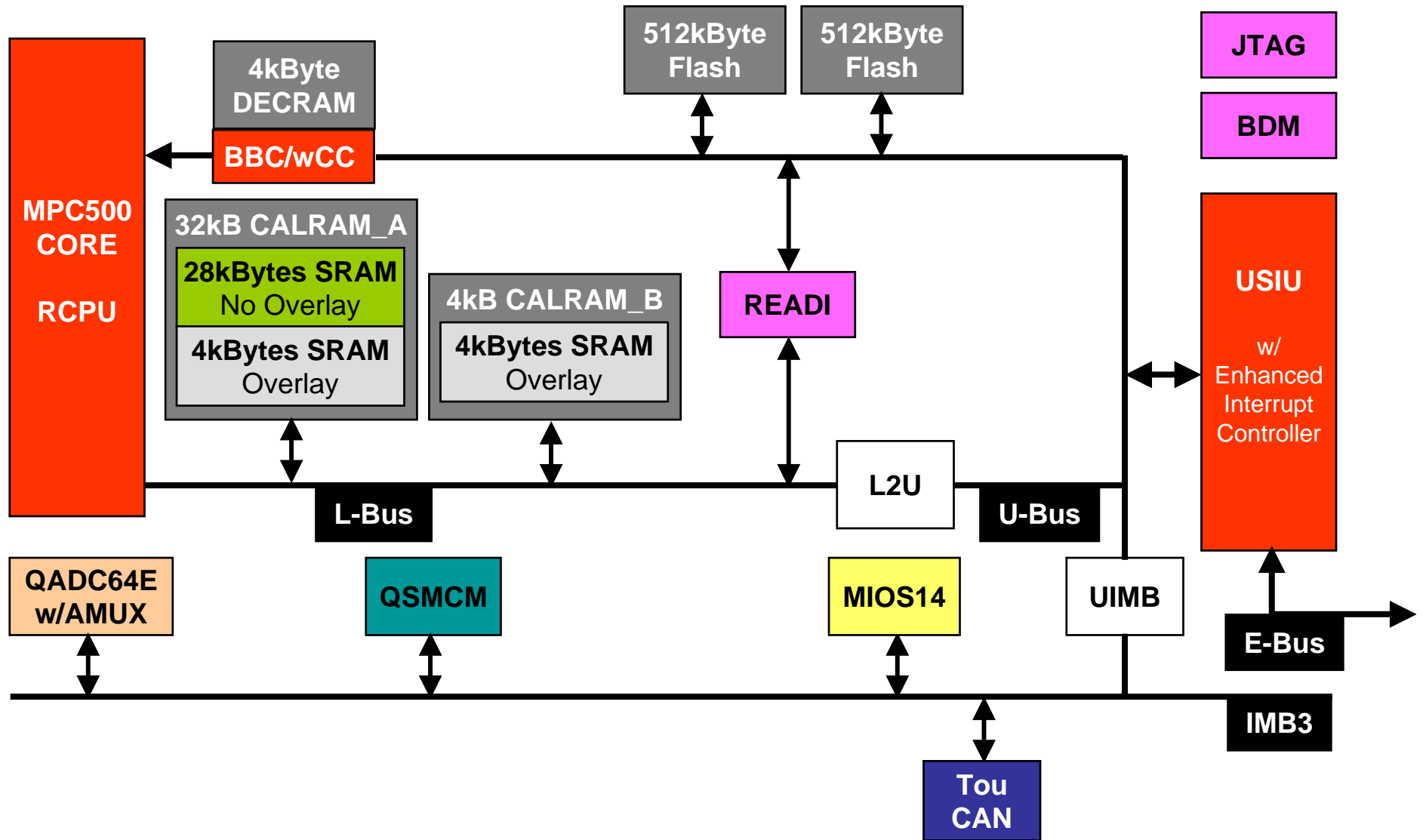


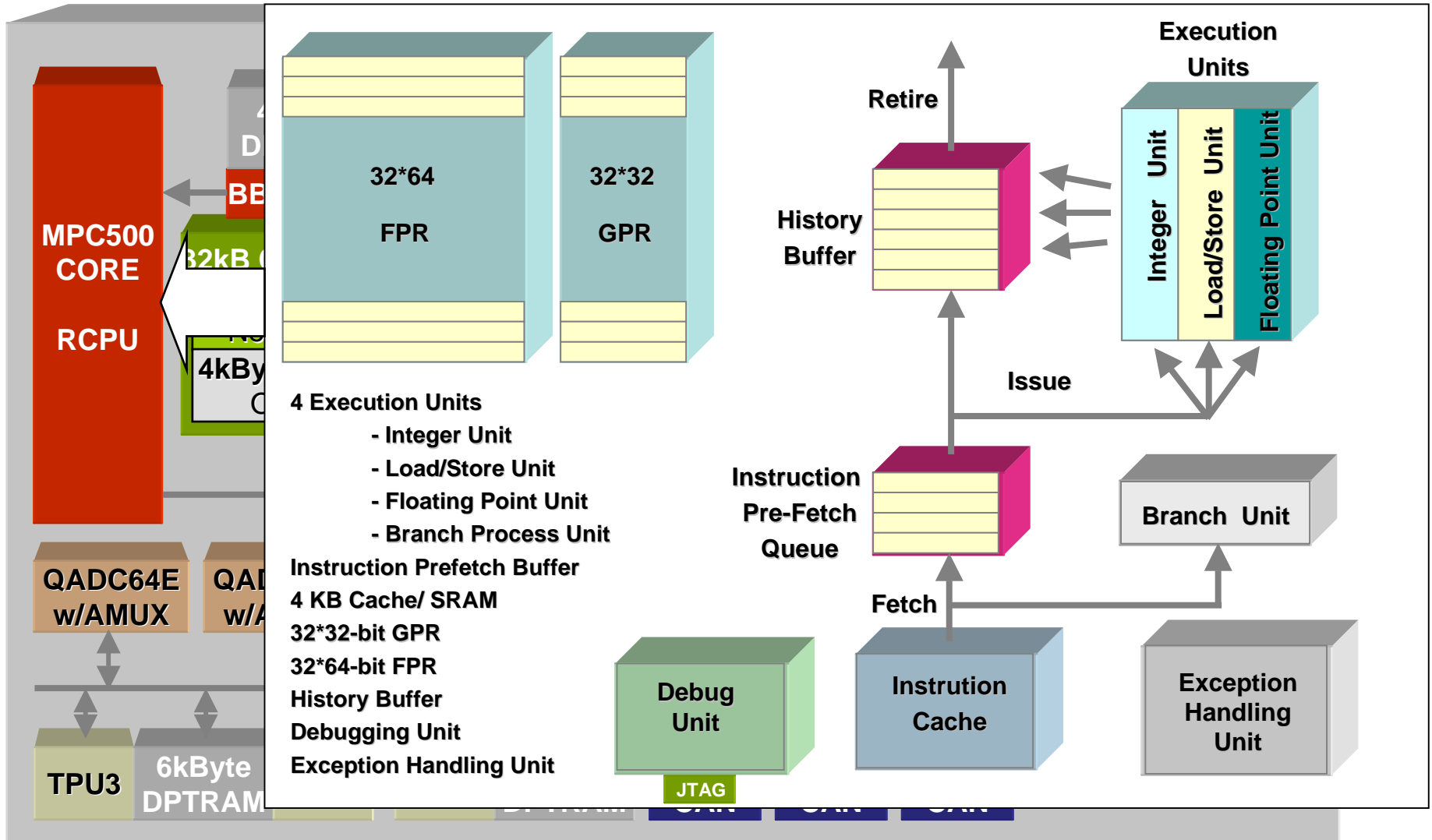


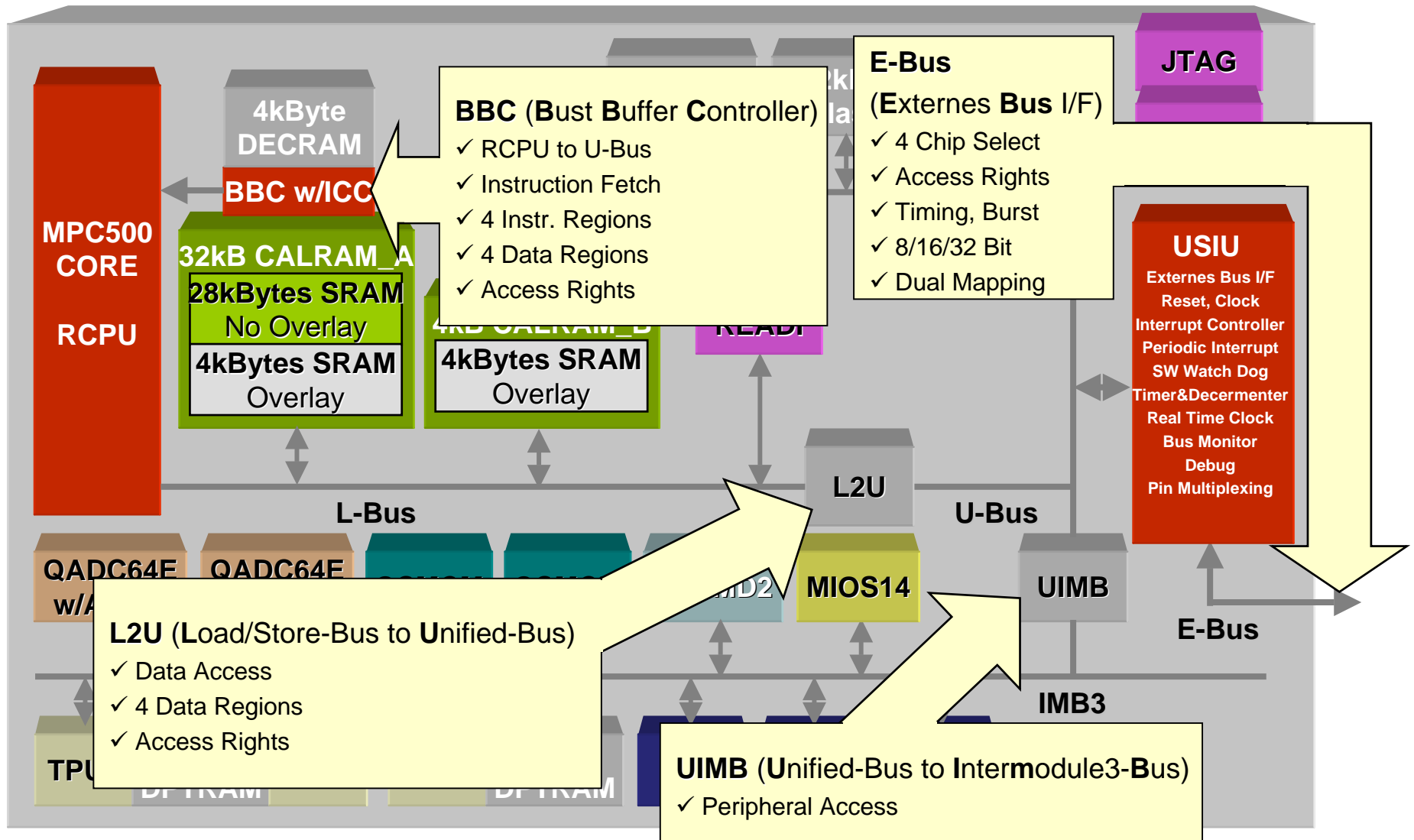


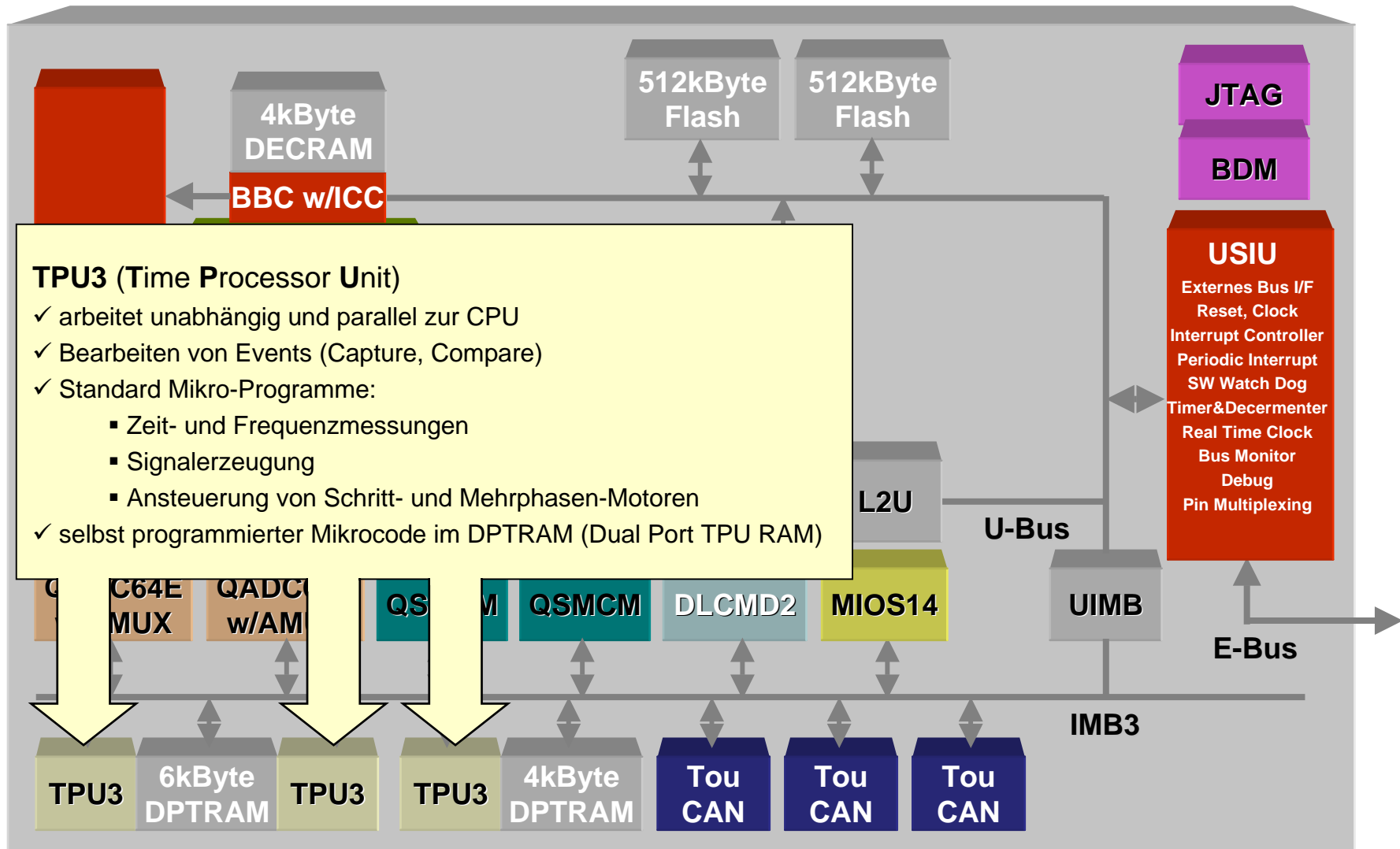


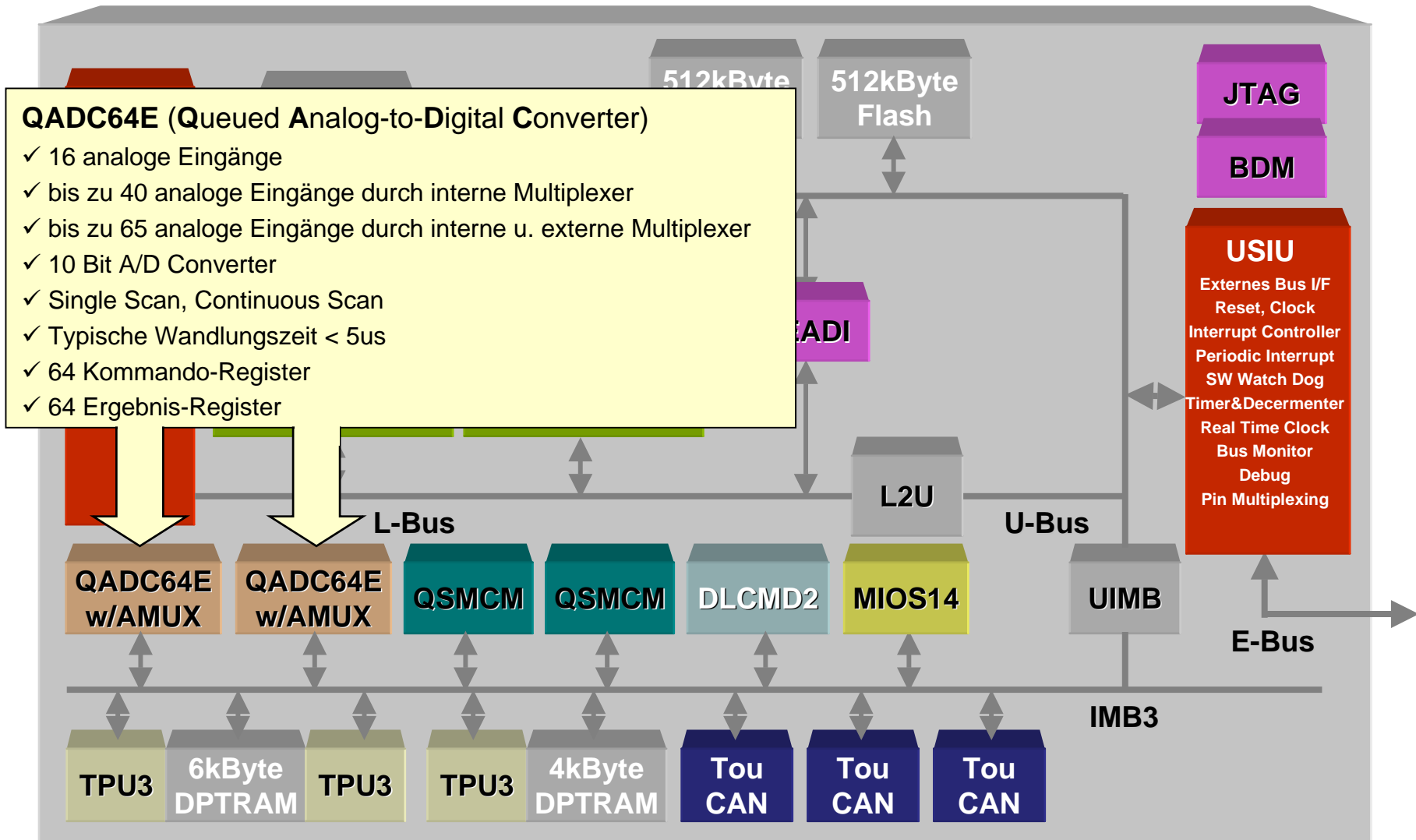


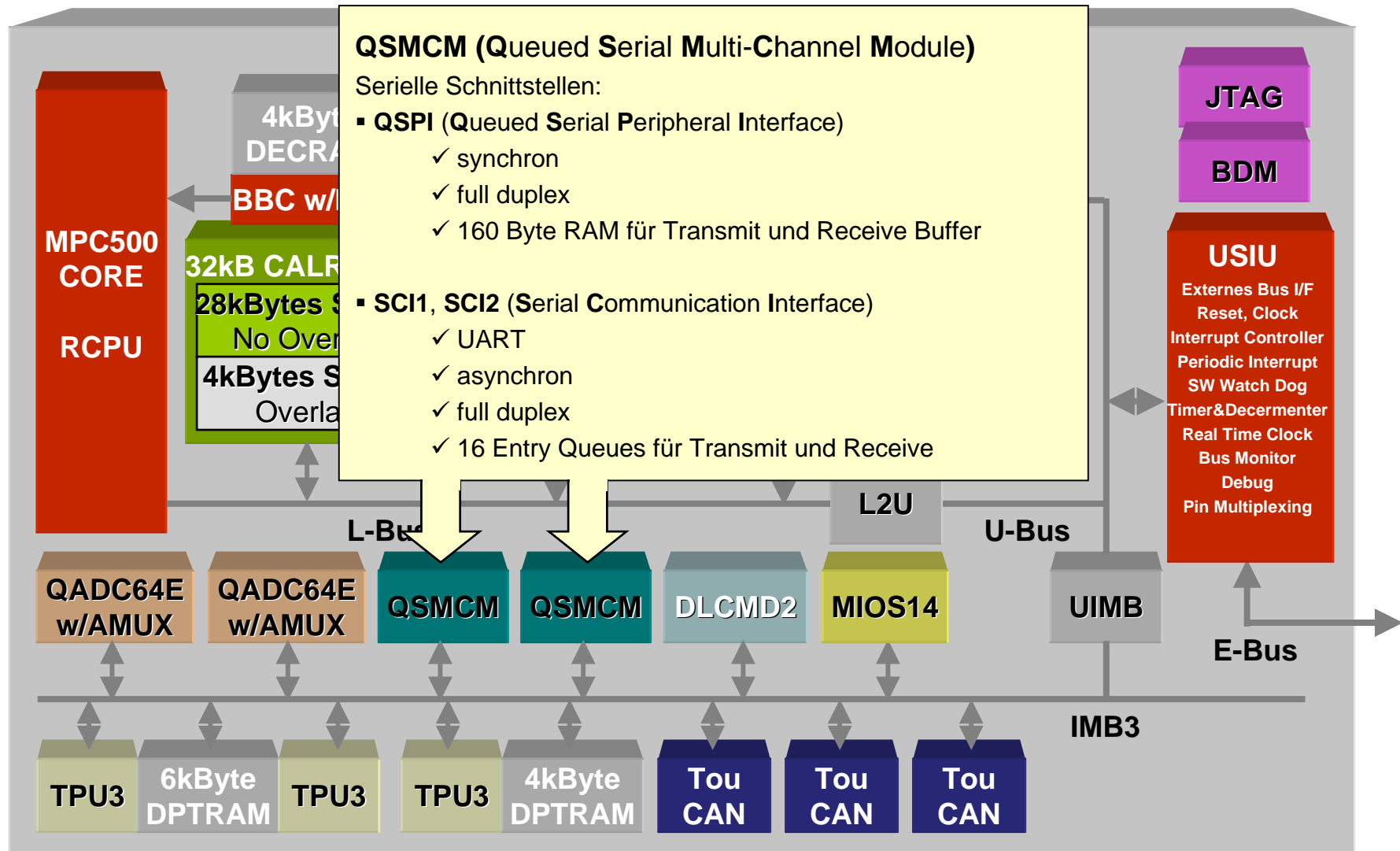


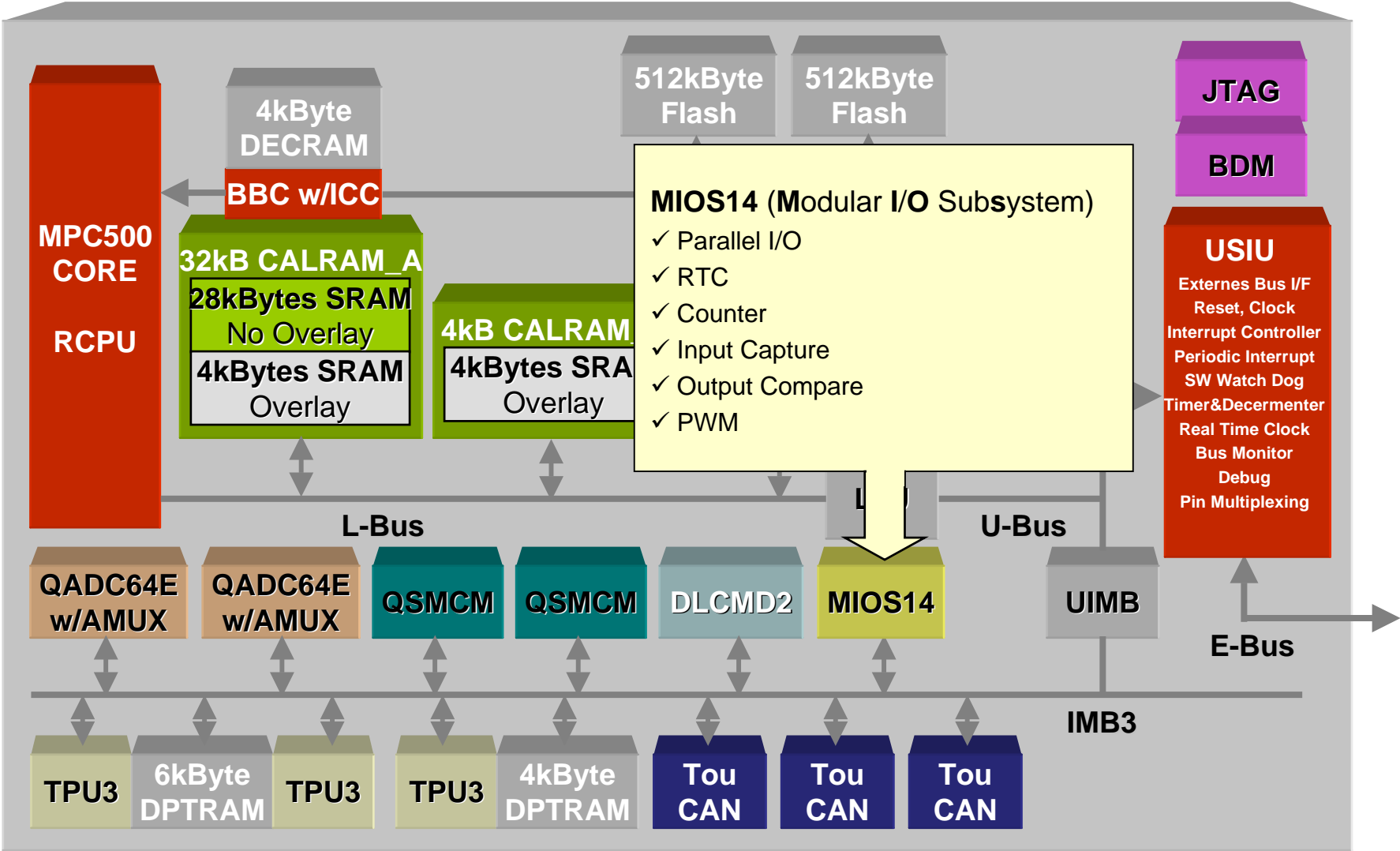


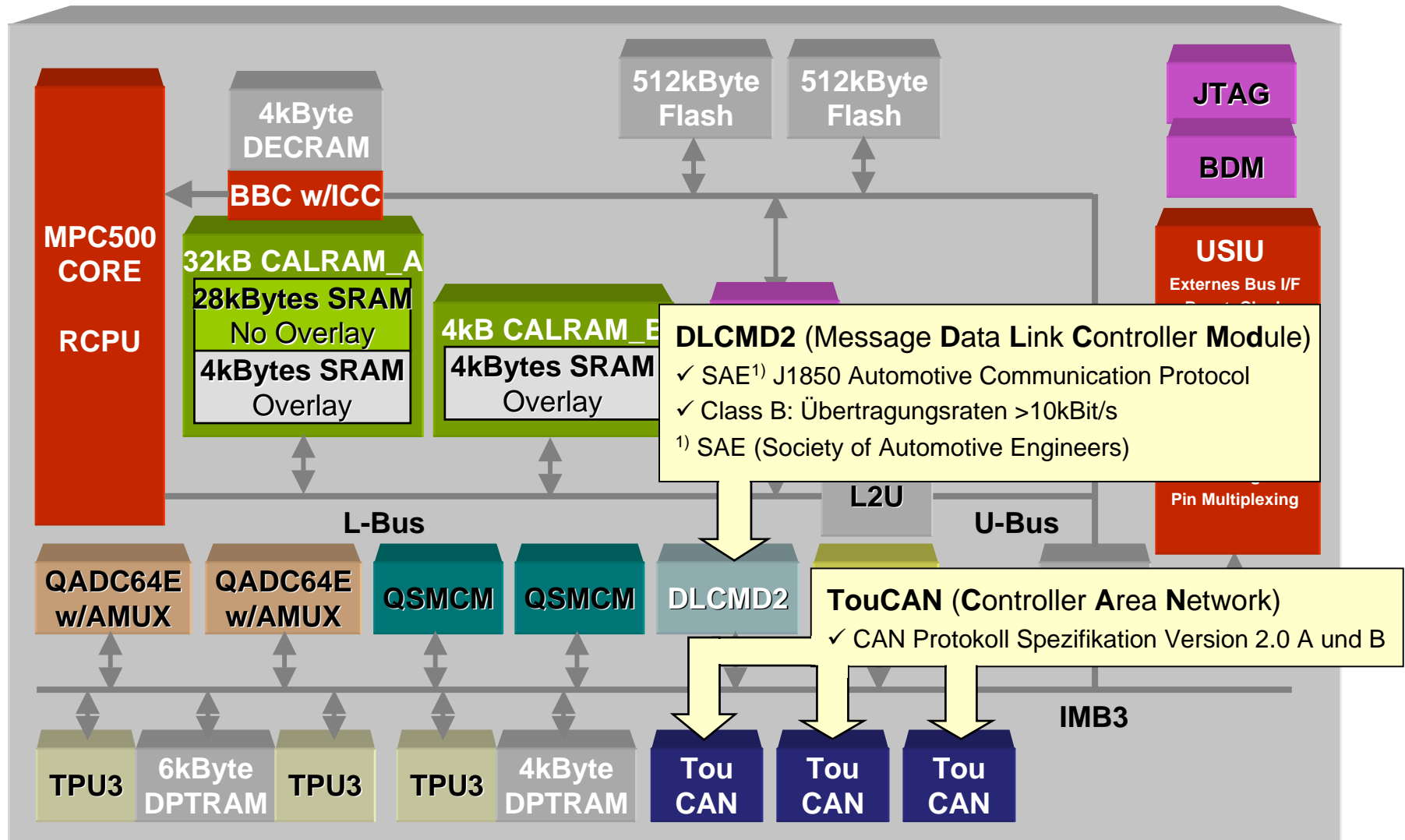












Komponente	Bedeutung
RCPU	Reduced Instruction Set C entral P rocessing U nit
BBC	B urst B uffer C ontroller
DECRAM	D ecompression R AM
CALRAM	C alibration R AM
USIU	U nified-Bus S ystem I nterface U nit
L2U	L-Bus To U-Bus Interface L-Bus: L oad/ S tore-Bus; U-Bus: U nified-Bus)
UIMB	U-Bus To IMB3-Bus Interface U-Bus: U nified-Bus; IMB3-Bus: I ntermodule- B us 3
READI	R eal-time A pplication D ebug I nterface
JTAG	J oint T est A ction G roup
BDM	B ackground D ebug M ode
TPU	T ime P rocessor U nit
DPTRAM	D ual P ort T PU R AM
TouCAN	C ontroller A rea N etwork

Komponente	Bedeutung
QADC64	Queued Analog-To-Digital Converter
QSMCM	Queued Serial Multi-Channel Module
▪ QSPI	Queued Serial Peripheral Interface
▪ SCI	Serial Communication Interface
MIOS	Modular I/O Subsystem
▪ MBISM	MOIS Bus Interface Submodule
▪ MCPSM	MOIS Counter Prescaler Submodule
▪ MMCSM	MOIS Modulus Counter Submodule
▪ MPWMSM	MOIS Pulse Width Modulation Submodule
▪ MPIO SM	MOIS Parallel Port I/O Submodule
▪ MRTCSM	MOIS Real-time Clock Submodule
▪ MDASM	MOIS Double Action Submodule
PPM	Peripheral Pin Multiplexing
DLCMD	Data Link Controller Module Digital

- **Welche Derivate der MPC5xx Familie existieren ?**

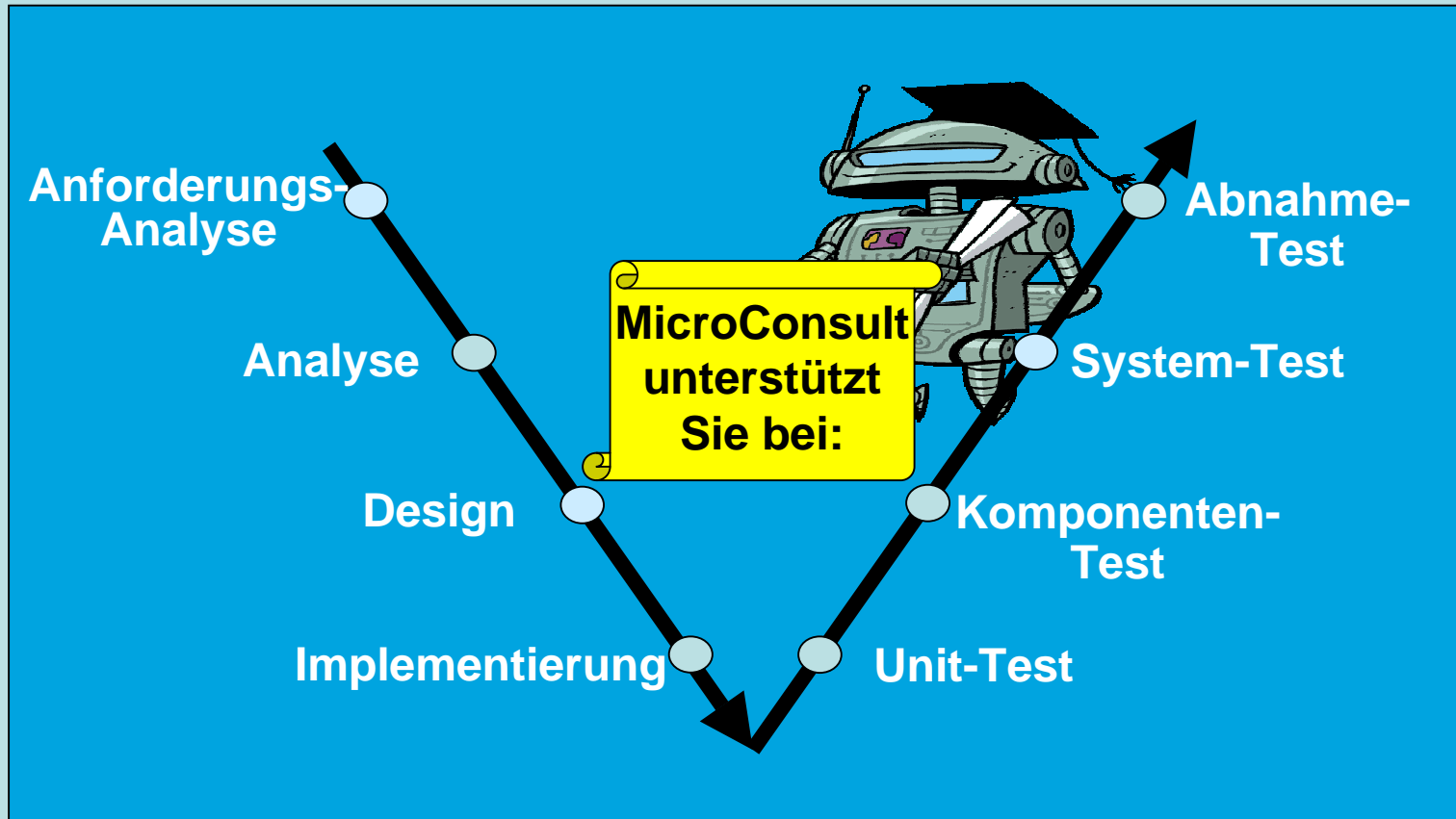
MPC555, MPC556

MPC561, MPC562, MPC563, MPC564

MPC565, MPC566

MPC533, MPC534, MPC535, MPC536

Training, Coaching, Engineering



HW-/SW-Technologien, Tools, Methoden, Prozess, Team